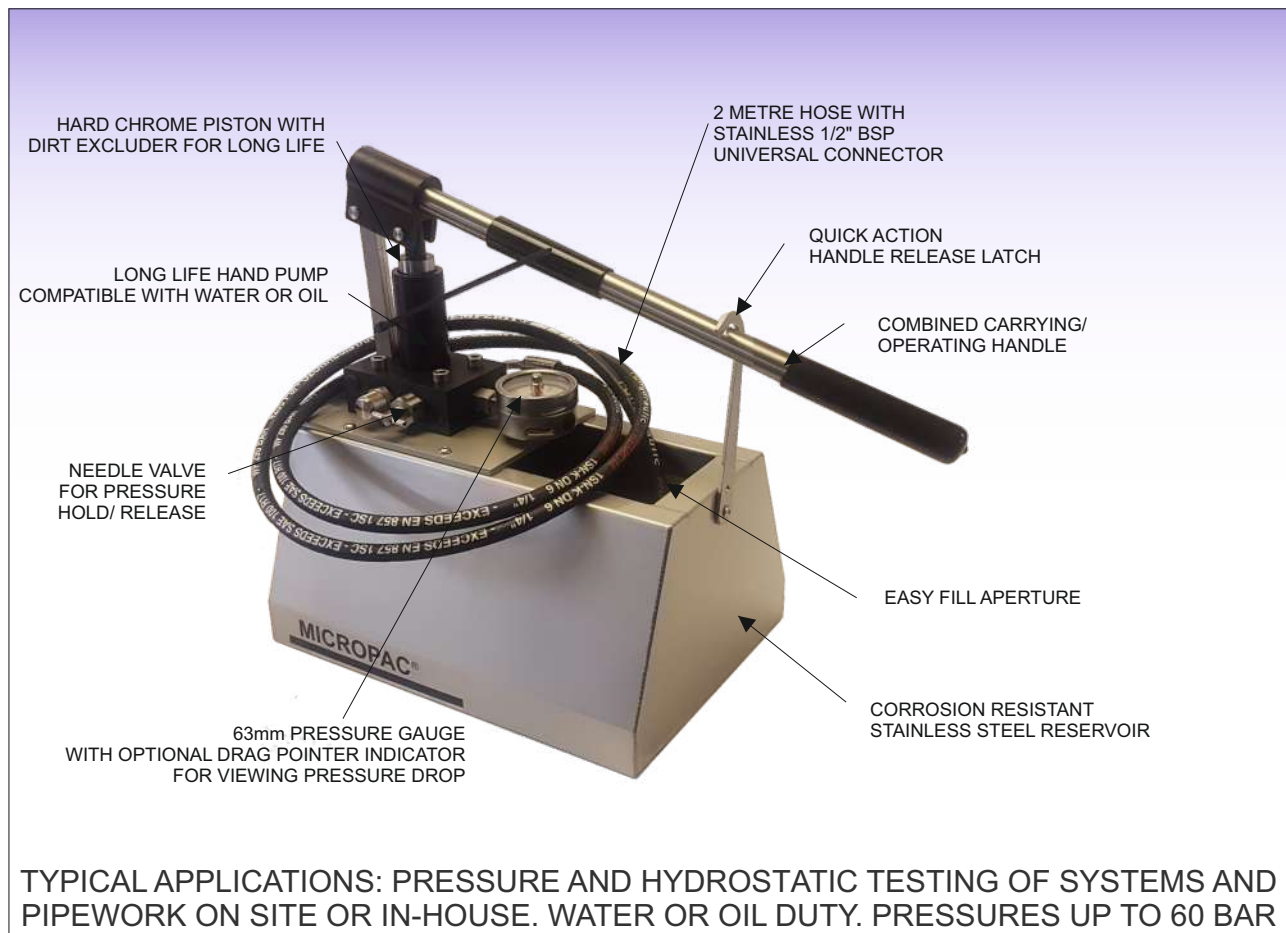




Micropac MZ-20

Manual Pressure Test Set

Portable 60 bar water/ oil unit for hydrostatic testing



FEATURES

- Rugged construction for long service life
- Portable and light weight- easily stowed
- Operating handle combines for carrying
- Quick fill & empty 9 litre capacity reservoir
- Compatible with water, water-glycol and oil
- 2 metre flexible hose stows around unit
- Stainless 1/2" BSP universal swivel connector
- Easy to use- pumps on down stroke only
- Displacement 20cc per stroke up to 60 bar
- Check for leaks with pressure gauge
- 316 stainless reservoir outlasts plastic or steel
- Hard chromed piston rod with dirt excluder
- Soft-seal outlet check valve for positive sealing
- Needle valve for pressure hold & release
- Service backup - all valve seats replaceable
- Quality assured - comes with 2 year warranty
- Factory support for product and application
- British designed and manufactured

INSTALLATION & MAINTENANCE

APPLICATION

Suitable for pressure and leak testing of components, systems and pipework up to 60 bar. Connection via the hose. System pressure is maintained by a 'soft seal' outlet check valve in pump body. Pressure drop can be observed over a period of time using the pressure gauge (drag pointer gauge optional). Pressure is released back to tank via a needle valve in the pump body.

Suitable for use with water and mineral oil. Other fluids; check compatibility with materials of construction. If in doubt, contact the factory.

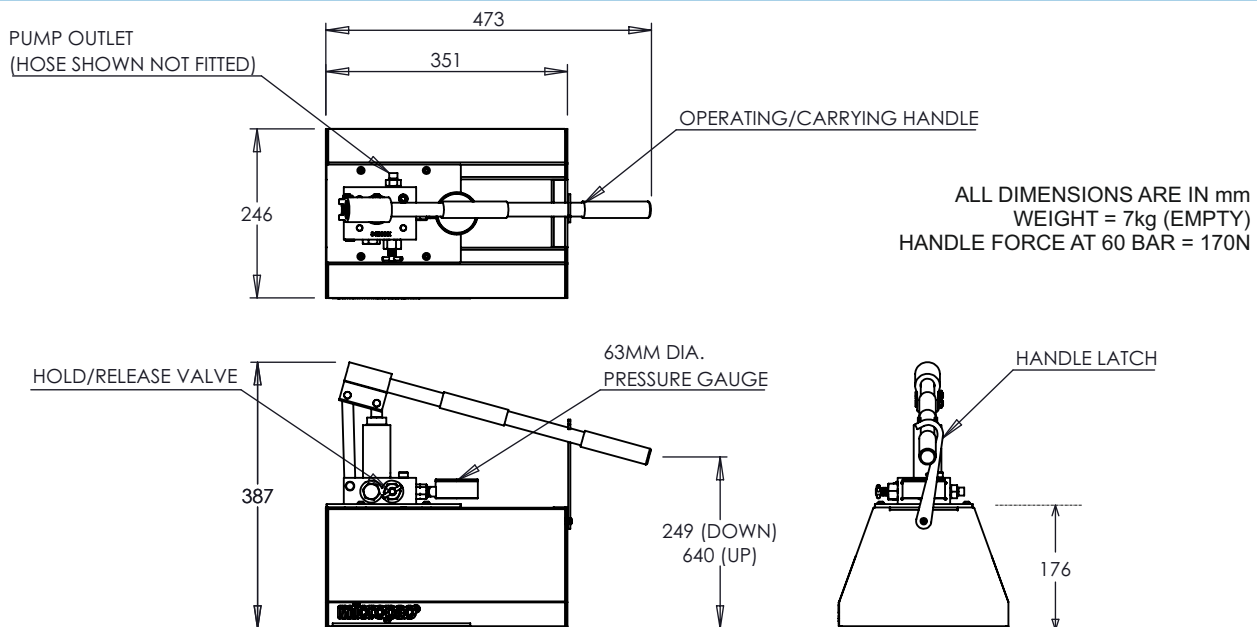
MATERIALS OF CONSTRUCTION

Wetted parts: stainless steel, brass, anodised aluminium. Seals: PTFE and nitrile rubber. Reservoir, handle mechanism, pressure gauge case: stainless steel. Hose: nitrile rubber reinforced, stainless steel fittings.

SAFETY

When in use, this unit is a component forming part of a hydraulic pressure system. If forming part of a permanent installation, the system should be designed, operated and maintained in accordance with statutory requirements and other relevant instructions. A risk assessment covering safe installation, operation and maintenance should always be carried out prior to use.

DIMENSIONS



CE marking: this product is classified under 'Sound Engineering Practice' of the Pressure Equipment Directive (PED) 2014/68/EU. As such, it does not carry the CE marking.

Sarum Hydraulics are an ISO 9001:2015 registered company with over 35 years experience in design and manufacture of hydraulic equipment. Call us, email us or visit our website to find out more about our extensive product range. Enquiries are welcomed for bespoke solutions.

Sarum Hydraulics Limited
Unit 1 Danebury Court, Salisbury, SP4 6EB, UK
Tel: 44(0)1722 328388 Fax: 44(0)1722 414307
email: pumpsales@sarum-hydraulics.co.uk
www.sarum-hydraulics.co.uk

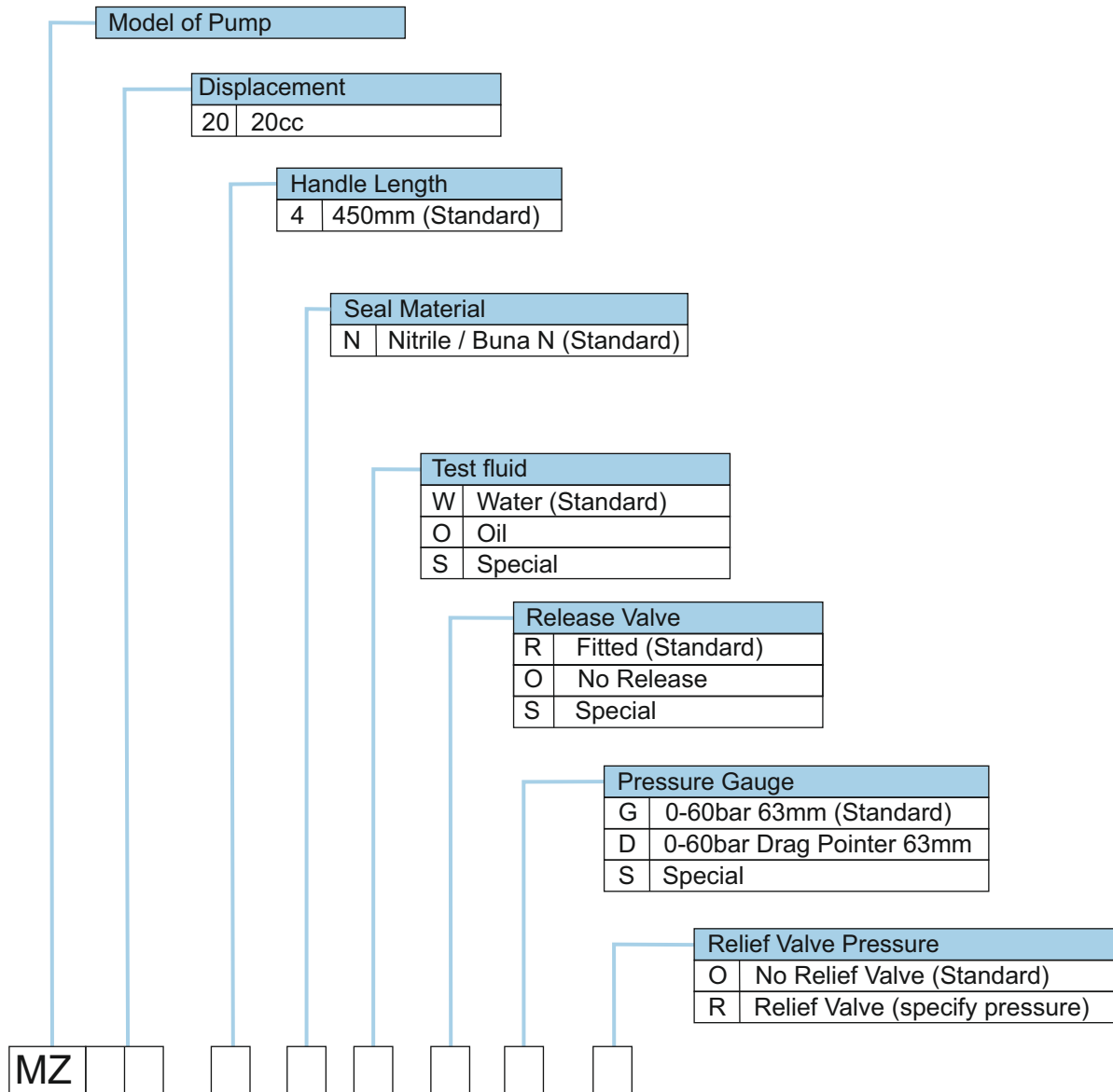
We invest heavily and continuously in product development.
Specifications are therefore liable to change without prior notification.
®Micropac is a Registered Trade Mark of Sarum Hydraulics



SARUM
HYDRAULICS
Designers & Manufacturers of Micropac® Hydraulics



ORDER CODES FOR MICROPAC MZ TROUGH PUMP



Sarum Hydraulics Limited
Unit 1 Danebury Court, Salisbury, SP4 6EB, UK
Tel: 44(0)1722 328388 Fax: 44(0)1722 414307
email: pumpsales@sarum-hydraulics.co.uk
www.sarum-hydraulics.co.uk

We invest heavily and continuously in product development.
Specifications are therefore liable to change without prior notification.
®Micropac is a Registered Trade Mark of Sarum Hydraulics

